

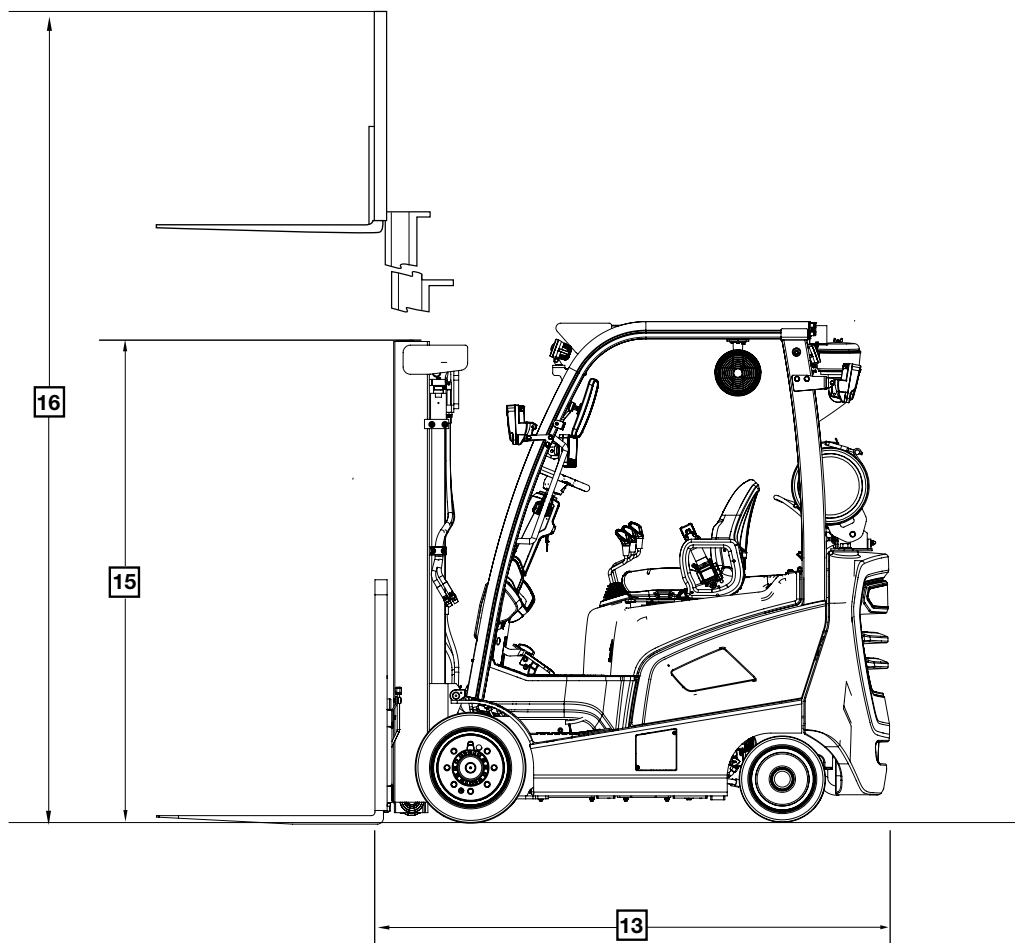
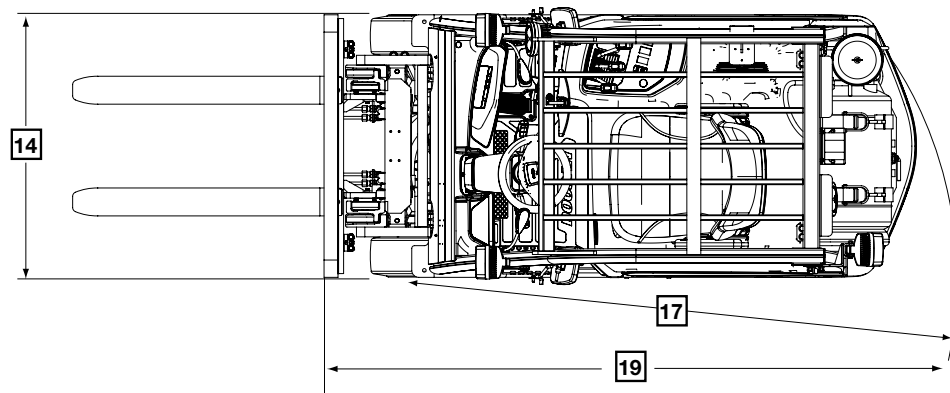
**CROWN**

**C-G**

**3,000-4,000 lb Capacity**  
IC Cushion Tire

## Specifications





**C-G Series**

**Specifications**

				<b>CGC15S-9</b>	<b>CGC18S-9</b>	<b>CGC20SC-9</b>	
<b>Characteristics</b>	1	<b>Model</b>					
	2	<b>Load Capacity</b>	At Rated Load Center	lb (kg)	3,000 (1,340)	3,500 (1,560)	4,000 (1,785)
	3	<b>Load Center</b>	Fork Face to Load CG	in (mm)	24 (610)	24 (610)	24 (610)
	4	<b>Power Type</b>	Elec, Diesel, LPG, Gasoline		LPG	LPG	LPG
	5	<b>Operator Type</b>			Sit-down	Sit-down	Sit-down
	6	<b>Tire Type</b>	P:Pnu, E:Solid Soft, C:Cush		C	C	C
	7	<b>Wheels (x = driven)</b>	Front / Rear		x 2 / 2	x 2 / 2	x 2 / 2
	8	<b>Steering Type</b>			Hydrostatic	Hydrostatic	Hydrostatic
	9	<b>Mast</b>	Lifting Height (MFH)		See Mast Chart	See Mast Chart	See Mast Chart
		Free Lift Height					
<b>Dimensions</b>	10	<b>Fork Carriage</b>	ISO 2328, Class / Type A, B		II / A	II / A	II / A
	11	<b>Forks</b>	Length x Width x Thickness	in (mm)	41x4x1.4 (1,050x100x35)	41x4x1.4 (1,050x100x35)	41x4x1.4 (1,050x100x35)
			Optional Lengths	in (mm)	35, 39, 45, 47, 53 (889, 991, 1143, 1194, 1346)	35, 39, 45, 47, 53 (889, 991, 1143, 1194, 1346)	35, 39, 45, 47 (889, 991, 1143, 1194)
	12	<b>Tilt of Mast</b>	Forward / Backward	deg	6 / 8	6 / 8	6 / 8
	13	<b>Headlength</b>	Length to Fork Face	in (mm)	82.8 (2,102)	83.6 (2,123)	85.7 (2,178)
	14	<b>Overall Width</b>		in (mm)	37.0 (940)	37.0 (940)	37.0 (940)
	15	<b>Mast Collapsed Ht.</b>	Mast Lowered Height		See Mast Chart	See Mast Chart	See Mast Chart
	16	<b>Mast Extended Ht.</b>	With Load Backrest				
	17	<b>Turning Radius</b>	Minimum Outside	in (mm)	71.9 (1,826)	73.5 (1,867)	74.4 (1,891)
	18	<b>Load Distance</b>	Center of Drive Axle to Fork Face	in (mm)	15.5 (394)	15.5 (394)	15.7 (399)
19	<b>Aisle Width</b>	Right Angle Stack (L = 48" x W = 40")	in (mm)	127.6 (3,242)	129.3 (3,284)	130.5 (3,314)	
<b>Performance</b>	20	<b>Travel Speed</b>	Loaded / Unloaded	mph (km/h)	11.1 / 11.1 (17.8 / 17.8)	11.1 / 11.1 (17.8 / 17.8)	11.1 / 11.1 (17.8 / 17.8)
	21	<b>Lifting Speed</b>	Loaded / Unloaded	fpm (m/s)	126 / 130 (0.64 / 0.66)	124 / 130 (0.63 / 0.66)	122 / 130 (0.62 / 0.66)
	22	<b>Lowering Speed</b>	Loaded / Unloaded	fpm (m/s)	100.4 / 98.4 (0.51 / 0.50)	100.4 / 98.4 (0.51 / 0.50)	100.4 / 98.4 (0.51 / 0.50)
	23	<b>Drawbar Pull @ 1 mph</b>	Loaded / Unloaded	lb (kg)	3,196 (1,450)	3,196 (1,450)	3,196 (1,450)
	24	<b>Drawbar Pull Max.</b>	Loaded / Unloaded	lb (kg)	3,636 (1,649)	3,636 (1,649)	3,636 (1,649)
	25	<b>Gradeability @ 1 mph</b>	Loaded / Unloaded	%	38.5 / 69.4	33.0 / 60.1	31.0 / 56.1
	26	<b>Gradeability Max.</b>	Loaded / Unloaded	%	46.8 / 90.1	39.8 / 76.0	36.5 / 70.3
<b>Weight</b>	27	<b>Vehicle Weight</b>		lb (kg)	6,038 (2,739)	6,460 (2,930)	6,903 (3,131)
	28	<b>Axle Load</b>	Loaded, Front / Rear	lb (kg)	7,529 / 1,462 (3,415 / 663)	8,393 / 1,504 (3,807 / 682)	9,292 / 1,545 (4,215 / 701)
			Unloaded, Front / Rear	lb (kg)	2,266 / 3,770 (1,028 / 1,710)	2,266 / 4,191 (1,028 / 1,901)	2,266 / 4,634 (1,028 / 2,102)
<b>Chassis</b>	30	<b>Tire Size - Front</b>	OD x Width x Rim Dia.	in	18 x 6 x 12.12	18 x 6 x 12.12	18 x 6 x 12.12
	31	<b>Tire Size - Rear</b>	OD x Width x Rim Dia.	in	14 x 5 x 10	14 x 5 x 10	14 x 5 x 10
	32	<b>Wheelbase</b>	Distance	in (mm)	50.6 (1,285)	50.6 (1,285)	50.6 (1,285)
	34	<b>Tread / Track Width</b>	Front / Rear	in (mm)	31 / 32 (786 / 814)	31 / 32 (786 / 814)	31 / 32 (786 / 814)
	35	<b>Ground Clearance</b>	Loaded at the lowest point	in (mm)	3.0 (75)	3.0 (75)	3.0 (75)
			Loaded at center of wheelbase	in (mm)	4.1 (105)	4.1 (105)	4.1 (105)
	37	<b>Brakes</b>	Service		Foot / Hydraulic	Foot / Hydraulic	Foot / Hydraulic
			Parking		Electro-mechanical	Electro-mechanical	Electro-mechanical
<b>Powertrain</b>	39	<b>Battery</b>	Voltage / Ampere	V/AH	12 / 45	12 / 45	12 / 45
	40	<b>Engine</b>	Manufacturer / Model		PSI / 4G63	PSI / 4G63	PSI / 4G63
			Rated Power (SAE Gross)	HP/rpm	50.6 / 2,450	50.6 / 2,450	50.6 / 2,450
				kW/rpm	37.7 / 2,450	37.7 / 2,450	37.7 / 2,450
				lb_ft/rpm	110 / 1,800	110 / 1,800	110 / 1,800
	42		Maximum Torque (SAE)	N-m/rpm	148.7 / 1,800	148.7 / 1,800	148.7 / 1,800
	43		Cylinders / Displacements	Liters	4 / 2.0L	4 / 2.0L	4 / 2.0L
	44	<b>Transmission</b>	Type		Powershift	Powershift	Powershift
			Number of Speeds (Fwd / Rev)		1 / 1	1 / 1	1 / 1
	45	<b>Hydraulic Pressure</b>	System	psi (bar)	2,550 (176)	2,880 (198)	3,125 (215)
Attachment			psi (bar)	2,040 (140)	2,040 (140)	2,040 (140)	
46	<b>Attachments</b>	Oil Volume	gpm (lpm)	6 (23)	6 (23)	6 (23)	

# C-G Series

# Specifications

## Forks Only with 14 x 5 x 10 Rear Tires

Truck Capacity at Height at 24 in (600 mm) Horizontal Load Center

Mast Type	Maximum Fork Height		Maximum Lowered Height		Fully Extended Height		Free Lift		Tilt Angle		Rated Load Capacities					
					With Load Backrest		With Load Backrest		FWD	BWD	CGC15S-9		CGC18S-9		CGC20SC-9	
	in	mm	in	mm	in	mm	in	mm	deg	deg	lb	kg	lb	kg	lb	kg
TL	118	3000	78	1980	159	4045	5	130	6	8	2976	1350	3472	1575	3968	1800
	130	3300	84	2130	171	4345	5	130	6	8	2976	1350	3472	1575	3968	1800
	146	3700	92	2330	187	4745	5	130	6	8	2976	1350	3472	1575	3968	1800
TF	118	3000	78	1980	159	4045	38.4	975	6	8	2976	1350	3472	1575	3968	1800
	130	3300	84	2130	171	4345	44.3	1125	6	8	2976	1350	3472	1575	3968	1800
TT	157	4000	73.2	1860	198.8	5050	34	855	6	5	2976	1350	3472	1575	3968	1800
	177	4500	79.7	2025	218.3	5545	40	1020	6	5	2965	1345	3450	1565	3505	1590
	187	4750	83.1	2110	228.1	5795	44	1105	6	5	2954	1340	3395	1540	3439	1560
	197	5000	87.6	2225	238	6045	48	1220	6	5	2888	1310	2987	1355	3086	1400
	216	5500	96.9	2460	257.9	6550	57	1455	6	5	1895	860	2094	950	2733	1240
	236	6000	103.3	2625	277.4	7045	64	1620	6	5	1256	570	1940	880	1884	855

## Forks Only with 16 x 5 x 10 Rear Tires

Truck Capacity at Height at 24 in (600 mm) Horizontal Load Center

Mast Type	Maximum Fork Height		Maximum Lowered Height		Fully Extended Height		Free Lift		Tilt Angle		Rated Load Capacities					
					With Load Backrest		With Load Backrest		FWD	BWD	CGC15S-9		CGC18S-9		CGC20SC-9	
	in	mm	in	mm	in	mm	in	mm	deg	deg	lb	kg	lb	kg	lb	kg
TL	118	3000	78	1980	159	4045	5	130	6	8	2976	1350	3472	1575	3968	1800
	130	3300	84	2130	171	4345	5	130	6	8	2976	1350	3472	1575	3968	1800
	146	3700	92	2330	187	4745	5	130	6	8	2976	1350	3472	1575	3968	1800
TF	118	3000	78	1980	159	4045	38.4	975	6	8	2976	1350	3472	1575	3968	1800
	130	3300	84	2130	171	4345	44.3	1125	6	8	2976	1350	3472	1575	3968	1800
TT	157	4000	73.2	1860	198.8	5050	34	855	6	5	2976	1350	3472	1575	3769	1710
	177	4500	79.7	2025	218.3	5545	40	1020	6	5	2965	1345	3450	1565	3604	1635
	187	4750	83.1	2110	228.1	5795	44	1105	6	5	2954	1340	3395	1540	3494	1585
	197	5000	87.6	2225	238	6045	48	1220	6	5	2943	1335	2987	1355	3428	1555
	216	5500	96.9	2460	257.9	6550	57	1455	6	5	2292	1040	2480	1125	3218	1460
	236	6000	103.3	2625	277.4	7045	64	1620	6	5	1499	680	2325	1055	2226	1010

## Hang-on Sideshifter with 14 x 5 x 10 Rear Tires

Truck Capacity at Height at 24 in (600 mm) Horizontal Load Center

Mast Type	Maximum Fork Height		Maximum Lowered Height		Fully Extended Height		Free Lift		Tilt Angle		Rated Load Capacities					
					With Load Backrest		With Load Backrest		FWD	BWD	CGC15S-9		CGC18S-9		CGC20SC-9	
	in	mm	in	mm	in	mm	in	mm	deg	deg	lb	kg	lb	kg	lb	kg
TL	118	3000	78	1980	159	4045	5	130	6	8	2766	1255	3240	1470	3714	1685
	130	3300	84	2130	171	4345	5	130	6	8	2766	1255	3240	1470	3714	1685
	146	3700	92	2330	187	4745	5	130	6	8	2766	1255	3240	1470	3714	1685
TF	118	3000	78	1980	159	4045	38.4	975	6	8	2766	1255	3240	1470	3714	1685
	130	3300	84	2130	171	4345	44.3	1125	6	8	2766	1255	3240	1470	3714	1685
TT	157	4000	73.2	1860	198.8	5050	34	855	6	5	2766	1255	3240	1470	3714	1685
	177	4500	79.7	2025	218.3	5545	40	1020	6	5	2755	1250	3218	1460	3262	1480
	187	4750	83.1	2110	228.1	5795	44	1105	6	5	2744	1245	3163	1435	3207	1455
	197	5000	87.6	2225	238	6045	48	1220	6	5	2689	1220	2777	1260	2877	1305
	216	5500	96.9	2460	257.9	6550	57	1455	6	5	1741	790	1929	875	2535	1150
	236	6000	103.3	2625	277.4	7045	64	1620	6	5	1135	515	1774	805	1730	785

# C-G Series

# Specifications

## Hang-on Sideshifter with 16 x 5 x 10 Rear Tires

Truck Capacity at Height at 24 in (600 mm) Horizontal Load Center

Mast Type	Maximum Fork Height		Maximum Lowered Height		Fully Extended Height		Free Lift		Tilt Angle		Rated Load Capacities					
	in	mm	in	mm	With Load Backrest		With Load Backrest		FWD	BWD	CGC15S-9		CGC18S-9		CGC20SC-9	
	in	mm	in	mm	in	mm	in	mm	deg	deg	lb	kg	lb	kg	lb	kg
TL	118	3000	78	1980	159	4045	5	130	6	8	2766	1255	3240	1470	3714	1685
	130	3300	84	2130	171	4345	5	130	6	8	2766	1255	3240	1470	3714	1685
	146	3700	92	2330	187	4745	5	130	6	8	2766	1255	3240	1470	3714	1685
TF	118	3000	78	1980	159	4045	38.4	975	6	8	2766	1255	3240	1470	3714	1685
	130	3300	84	2130	171	4345	44.3	1125	6	8	2766	1255	3240	1470	3714	1685
TT	157	4000	73.2	1860	198.8	5050	34	855	6	5	2766	1255	3240	1470	3527	1600
	177	4500	79.7	2025	218.3	5545	40	1020	6	5	2755	1250	3218	1460	3362	1525
	187	4750	83.1	2110	228.1	5795	44	1105	6	5	2744	1245	3163	1435	3251	1475
	197	5000	87.6	2225	238	6045	48	1220	6	5	2733	1240	2777	1260	3196	1450
	216	5500	96.9	2460	257.9	6550	57	1455	6	5	2116	960	2303	1045	2998	1360
	236	6000	103.3	2625	277.4	7045	64	1620	6	5	1366	620	2149	975	2061	935

## Integral Sideshifter with 14 x 5 x 10 Rear Tires

Truck Capacity at Height at 24 in (600 mm) Horizontal Load Center

Mast Type	Maximum Fork Height		Maximum Lowered Height		Fully Extended Height		Free Lift		Tilt Angle		Rated Load Capacities					
	in	mm	in	mm	With Load Backrest		With Load Backrest		FWD	BWD	CGC15S-9		CGC18S-9		CGC20SC-9	
	in	mm	in	mm	in	mm	in	mm	deg	deg	lb	kg	lb	kg	lb	kg
TL	118	3000	78	1980	159	4045	5	130	6	8	2843	1290	3317	1505	3802	1725
	130	3300	84	2130	171	4345	5	130	6	8	2843	1290	3317	1505	3802	1725
	146	3700	92	2330	187	4745	5	130	6	8	2843	1290	3317	1505	3802	1725
TF	118	3000	78	1980	159	4045	38.4	975	6	8	2843	1290	3317	1505	3802	1725
	130	3300	84	2130	171	4345	44.3	1125	6	8	2843	1290	3317	1505	3802	1725
TT	157	4000	73.2	1860	198.8	5050	34	855	6	5	2843	1290	3317	1505	3802	1725
	177	4500	79.7	2025	218.3	5545	40	1020	6	5	2821	1280	3295	1495	3351	1520
	187	4750	83.1	2110	228.1	5795	44	1105	6	5	2810	1275	3240	1470	3284	1490
	197	5000	87.6	2225	238	6045	48	1220	6	5	2755	1250	2854	1295	2943	1335
	216	5500	96.9	2460	257.9	6550	57	1455	6	5	1796	815	1984	900	2601	1180
	236	6000	103.3	2625	277.4	7045	64	1620	6	5	1179	535	1829	830	1785	810

## Integral Sideshifter with 16 x 5 x 10 Rear Tires

Truck Capacity at Height at 24 in (600 mm) Horizontal Load Center

Mast Type	Maximum Fork Height		Maximum Lowered Height		Fully Extended Height		Free Lift		Tilt Angle		Rated Load Capacities					
	in	mm	in	mm	With Load Backrest		With Load Backrest		FWD	BWD	CGC15S-9		CGC18S-9		CGC20SC-9	
	in	mm	in	mm	in	mm	in	mm	deg	deg	lb	kg	lb	kg	lb	kg
TL	118	3000	78	1980	159	4045	5	130	6	8	2843	1290	3317	1505	3802	1725
	130	3300	84	2130	171	4345	5	130	6	8	2843	1290	3317	1505	3802	1725
	146	3700	92	2330	187	4745	5	130	6	8	2843	1290	3317	1505	3802	1725
TF	118	3000	78	1980	159	4045	38.4	975	6	8	2843	1290	3317	1505	3802	1725
	130	3300	84	2130	171	4345	44.3	1125	6	8	2843	1290	3317	1505	3802	1725
TT	157	4000	73.2	1860	198.8	5050	34	855	6	5	2843	1290	3317	1505	3604	1635
	177	4500	79.7	2025	218.3	5545	40	1020	6	5	2821	1280	3295	1495	3439	1560
	187	4750	83.1	2110	228.1	5795	44	1105	6	5	2810	1275	3240	1470	3340	1515
	197	5000	87.6	2225	238	6045	48	1220	6	5	2799	1270	2854	1295	3273	1485
	216	5500	96.9	2460	257.9	6550	57	1455	6	5	2171	985	2358	1070	3064	1390
	236	6000	103.3	2625	277.4	7045	64	1620	6	5	1410	640	2204	1000	2116	960

**Standard Features**

1. PSI 2.0 Liter 4 cylinder LPG engine compliant to current EPA standards
2. Cast Iron one piece drive axle housing housing with reinforced mast mounts
3. Oil Cooled Disc Brakes – Fully Enclosed
4. Push button electronic parking brake
5. Heavy-duty steer axle including large kingpins with tapered roller bearings
6. Operator design features
  - Wide spacious floorboard with thick rubber floormat
  - Suspension seat with hip restraint and high visibility seat belt
  - Operator Sensing System (OSS)
  - Rear travel handle with horn
  - Low front cowl/dash optimizes site lines
  - Clear view overhead guard and mast design
  - Low step height
  - Tilt steering column with small steering wheel and steer knob
  - Large dual rear view mirrors
  - Two front headlights – halogen
  - Easy to read large LED display
  - Two USB ports

**Optional Equipment**

1. Heavy-duty cooling package
2. Cup holder
3. Clip board
4. Operator fan
5. Fire extinguisher
6. LED light packages
7. Travel light package
8. Pre-cleaner
9. Low fuel warning light
10. Vented side panels
11. Open core radiator
12. Panoramic mirror
13. Single and double hydraulic quick disconnects
14. Weight scale
15. Ground speed control
16. UL rated LP to LPS
17. Floor spot light (blue light)
18. InfoLink® Ready

**Warning Device Options**

- Audible or Visual Alerts
- Safety considerations and dangers associated with audible travel alarms and lights include:
- Multiple alarms and/or lights can cause confusion.
  - Workers ignore the alarms and/or lights after day-in and day-out exposure.
  - Operator may transfer the responsibility for “looking out” to the pedestrians.
  - Annoys operators and pedestrians.

**Other Options Available**

Contact factory for additional options.

*Dimensions and performance data given may vary due to manufacturing tolerances. Performance is based on an average size vehicle and is affected by weight, condition of vehicle, how it is equipped and the conditions of the operating area. Products and specifications are subject to change without notice.*



**Crown Equipment Corporation**  
 New Bremen, Ohio 45869 USA  
**Tel** 419-629-2311  
**Fax** 419-629-3796  
 crown.com

**You can count on Crown to sell lift trucks designed for safe operation, but that's only part of the safety equation. Crown encourages safe operating practices through ongoing operator training, safety-focused supervision, maintenance and a safe working environment. Go to crown.com and view our safety section to learn more.**

Because Crown is continually improving its products, specifications are subject to change without notice.

Crown, the Crown logo, the color beige, the Momentum symbol, and InfoLink are trademarks of Crown Equipment Corporation in the United States and other countries.

Copyright 2020 Crown Equipment Corporation  
 SF20213 Rev. 11-20  
 Printed in U.S.A.